



**PROFESSIONAL 4-WHEEL
TRACTORS (G SERIES)
OPERATOR'S MANUAL**

www.oldgravelys.net

FORM NO: 087756A (2-95)

PART NO: 987058,987059,987060
987061,987062,987063

PRINTED IN USA

NOTE

Read this manual carefully and learn to operate and service your tractor before using it.

To keep the warranty, the tractor must be maintained and operated as directed in this manual.

All references to "left-side", "right-side", "front" and "back" are given from the operator's position.

Use the serial numbers to ensure prompt and correct service when ordering parts, requesting service or making inquiries.

TRACTOR SERIAL NUMBER: _____

ENGINE SERIAL NUMBER: _____

ENGINE SPEC NUMBER: _____



Look for this symbol to point out important safety precautions. It means -- **ATTENTION! BECOME ALERT! YOUR SAFETY IS INVOLVED.**



CAUTION: A CAUTION identifies safe operating practices or indicates unsafe conditions that could result in personal injury.



WARNING: A WARNING describes a condition where failure to follow the instructions could result in severe personal injury.



DANGER: A DANGER designates a condition where failure to follow instructions or heed warning will most likely result in serious personal injury or death.

CONTENTS

SEC 1 INSTRUCTIONS FOR SAFE OPERATION

- 1.1 Training
- 1.2 Preparation
- 1.3 Operation
- 1.4 Maintenance and Storage

SEC 2 CONTROLS AND OPERATING INSTRUCTIONS

- 2.1 Before Starting the Engine
- 2.2 Operator Presense Control
- 2.3 Starting and Stopping the Engine
- 2.4 Operating the Transmission
- 2.5 Using the Attachment Lift Systems
- 2.6 Using the Tractor for Stationary Operations
- 2.7 Warning Light
- 2.8 Locking the Brakes for Parking
- 2.9 Adjusting the Seat

SEC 3 LUBRICATION AND MAINTENANCE

- 3.1 Filling the Fuel Tank
- 3.2 General Lubrication
- 3.3 Checking the Engine Oil
- 3.4 Changing the Engine Oil
- 3.5 Checking the Battery Fluid
- 3.6 Checking the Fasteners
- 3.7 Checking the Air Intake Screen
- 3.8 Checking the Cooling System
- 3.9 Checking the Air Cleaner
- 3.10 Changing the Air Cleaner Element
- 3.11 Checking the Transmission Oil

SEC 4 ADJUSTMENTS

- 4.1 Adjusting the Brakes
- 4.2 Adjusting the Forward and Reverse Clutches
- 4.3 Adjusting the PTO Clutch
- 4.4 Adjusting the Steering System
- 4.5 Servicing the Spark Plugs
- 4.6 Servicing the Hydraulic Lift
- 4.7 Adjusting the Range Selector

SEC 5 STORAGE

- 5.1 Storing the Unit
- 5.2 Taking the Unit Out of Storage

CONTENTS (Continued)

- SEC 6 TROUBLESHOOTING**
- SEC 7 SPECIFICATIONS**
- SEC 8 WIRING DIAGRAM**
- SEC 9 SET UP INSTRUCTIONS**
- SEC 10 WARRANTY**

SECTION 1

INSTRUCTIONS FOR SAFE OPERATION

Improper use of this tractor can injure people and damage the equipment. People using or servicing this tractor must read and follow the instructions in this manual.

It is important to understand that this manual and any other Gravely instruction manuals do not cover every possible danger. It is impossible for Gravely to know all possible dangers in operating and servicing the tractor and attachments.

The purchaser must give these instructions to the people operating and maintaining this tractor. These people must use eye and foot protection.

1.1 Training

1. Read, understand and follow all instructions in this manual, the attachment manual, engine manual and on the tractor before operating unit.
2. Learn the location and function of all controls.
3. Learn how to use the controls to stop the wheels and attachment quickly in an emergency.
4. Understand and follow each danger, warning, caution and instruction decal installed on this product.
5. Never permit children to operate the tractor. Do not allow adults to operate it without proper instruction.
6. Safe operation of this equipment requires your complete and unimpaired attention at all times. Do not operate unit after or during the consumption of drugs or alcohol.
7. Keep all people and animals away from the operating area.

1.2 Preparation

1. Use caution with gasoline. Gasoline is very flammable and its vapors are explosive. Keep it in a clean, tight and approved (Red) container. Never put gasoline in the fuel tank while the engine is running or hot. Clean up spilled gasoline before starting engine. Do not fill fuel tank indoors. Never allow smoking materials, sparks or flame (match, pilot light, etc.) near mower or fuel container. Replace fuel tank cap and fuel container cap securely.
2. Inspect area of operation and remove all material which could be thrown by the attachment such as stones, sticks, wires and other foreign objects.

3. When hauling the equipment, connect the chassis to the transporting vehicle. Never connect from control levers, rods, or like items that could be damaged. Use extra care when loading or unloading equipment onto a trailer or truck.
4. Replace all parts that become damaged or lost.
5. Wear hand, foot, head, ear and eye protection. Do not wear loose clothing, which might get caught in rotating parts of the unit.
6. Before making adjustments or servicing, move the PTO to "OFF", turn the ignition switch to "OFF", remove key and wait until all moving parts completely stop. Do not make any adjustments while engine is running.

1.3 Operation

1. Be certain that all shields, guards, and interlock switches are in the correct position and operating properly.
2. Before starting the engine, put the PTO lever in the "OFF" position and the gear shift lever in the neutral "N" position.
3. Check the operation of the operator presence controls before operating the equipment. See page 5 of this manual for proper operation.
4. Do not use the equipment in the dark without adequate lighting.
5. Keep away from moving parts. Stay clear of the attachment discharge whenever the engine is running.
6. Do not let people other than the operator near the operating equipment. Never direct discharge of material towards bystanders. The operator is responsible for the safety of bystanders.
7. Keep children out of the area of operation and under the watchful key of another responsible adult.
8. Use caution when operating on gravel or on loose material such as sand. Objects may be picked up and thrown by the attachment causing damage or injury.
9. If there is a sudden change in the sound or vibration of the equipment, disengage the PTO, turn off and remove the ignition key, wait for all motion to stop and check for damage. Repair any damage or failure before restarting unit.
10. Look for and keep away from hazards, such as drop-offs, ditches or embankments. Stay alert for holes, rocks and other hidden hazards in the area of operation.
11. After hitting an object, disengage the PTO, turn off and remove the ignition key and wait for all motion to stop. Check for damage. Repair any damage before restarting unit.

12. Always look down and behind before and while backing.
13. Operate only from the operator's position, on the seat.
14. The addition of attachments can affect the stability of the machine. Be sure to follow manufacturer's recommendations for wheel weights or counterweights to improve stability.
15. Travel up and down slopes, not across. Use extreme caution when changing speed or direction on slopes. Keep all movement on slopes slow and gradual. Avoid starting or stopping on slopes. Do not operate on steep slopes.
16. Slow down before turning. Use a slow speed and engage the direction control pedal slowly when operating on slopes.
17. Never run the engine indoors except to move it outside. Exhaust fumes are dangerous.
18. Go slowly on slick surfaces such as wet grass. Reduced traction could cause sliding. Always keep a firm grip on the steering wheel.
19. Follow traffic laws when operating on or near a road. Watch for traffic.
20. Use extra care when approaching blind corners, shrubs, trees, or other objects which may obscure vision.
21. Never leave machine running when unattended. Before leaving the operator's position, put the PTO lever in the "OFF" position, turn off and remove ignition key. Move the shift control to first gear position.
19. Do not touch parts which might be hot from operation. Before attempting to maintain, adjust or service allow such parts to cool.

1.4 Maintenance and Storage

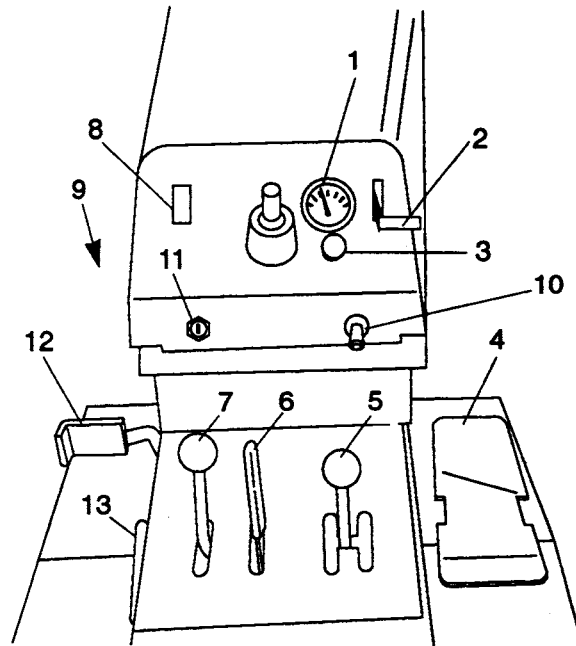
1. Keep the equipment in good condition. Maintain it as directed in this manual. Check all hardware at regular intervals.
2. Use only Gravelly accessories, attachment and replacement parts.
3. Do not overspeed the engine. Do not override the governor.
4. Before making any repairs, adjustments, inspections or cleaning unit disengage the PTO, turn off and remove the ignition key and wait for all motion to stop.

5. To reduce fire hazard and overheating, keep equipment free of grass, leaves, debris or excessive lubricants.
6. Worn out mufflers can result in fire or explosion and should be replaced immediately.
7. Check brake operation frequently. Adjust and service as required.
8. Never store equipment with gasoline in tank inside a building where fumes may reach an open flame or spark. Allow engine to cool before storing in any enclosure.
9. Refer to Storage Section of owners manual if unit is to be stored for extended periods.

SECTION 2

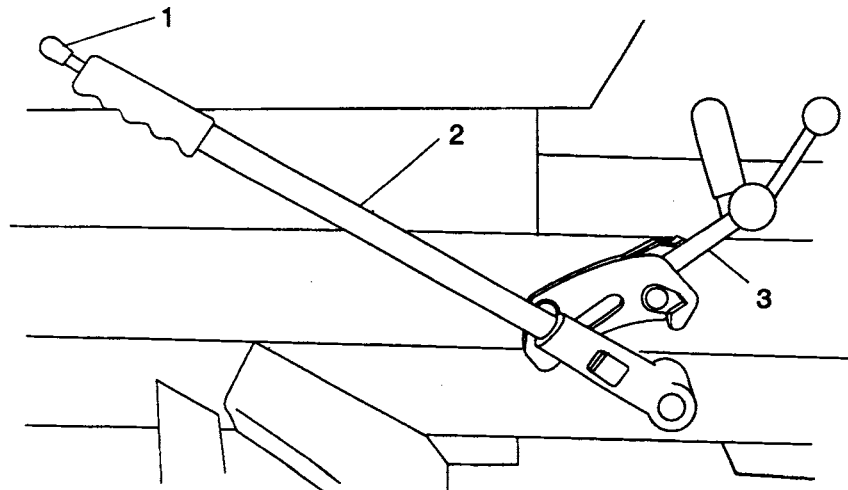
CONTROLS AND OPERATING INSTRUCTIONS

Figures 1 and 2 show the locations and identifications of the controls.



- | | |
|----------------------------|---------------------------------|
| 1. Ammeter | 8. Warning Light (Oil Pressure) |
| 2. Throttle Control | 9. Hourmeter |
| 3. Choke Control | 10. Hydraulic Lift Control |
| 4. Direction Control Pedal | 11. Ignition Switch |
| 5. Gear Selector | 12. Brake Pedal |
| 6. Range Selector | 13. Brake Lock Lever |
| 7. PTO Control | |

Figure 1



- | |
|-----------------------|
| 1. Release Button |
| 2. Manual Lift Lever |
| 3. Lift Range Control |

Figure 2

Read this manual before operating the tractor. Read the Operator's Manual for any attachment that is to be used.

From the tractor seat, note the location of the tractor and attachment controls (See section 2). **ALWAYS BE IN THE SEAT WHEN OPERATING THE TRACTOR OTHER THAN IN STATIONARY APPLICATIONS.**

2.1 Before Starting the Engine

Be sure that the tractor and engine have been properly serviced and maintained.

2.2 Operator Presence Control

The operator must be sitting in the seat to allow operation of the power take off (PTO) or traction drive.



CAUTION: The operator presence control is intended to stop the engine whenever the operator is not seated and the PTO and direction control pedal are not in the disengaged (PTO - Off, direction control pedal - Neutral) positions. Test this system each time the tractor is operated. If this system does not function as described do not operate until repairs are made. **NOTE:** Engine must not start unless PTO is disengaged and direction control pedal is in neutral.

2.3 Starting and Stopping the Engine

To start the engine:

1. The direction control pedal must be in "NEUTRAL" position and the PTO control must be at "OFF" position.
2. Put the key in the ignition switch.
3. Move the throttle lever to a middle position.
4. If the engine is cold, move the choke lever to "ON". If the engine is warm, the choke lever should be at "OFF".
5. Turn the ignition key to "START". When the engine starts, move the choke lever slowly to "OFF". If the engine does not start in five seconds, release the key for a few seconds and then repeat. If the engine does not start within five tries, see section 6 for instructions.



CAUTION: Do not keep starter running for over 15 seconds. Do not run the starter for more than 15 seconds in any one minute.

To stop the engine:

1. Move the throttle lever to "SLOW" and idle with the PTO control disengaged for approximately 15 seconds.
2. Turn the ignition switch to "OFF".
3. Remove the key before leaving the tractor.

2.4 Operating the Transmission

Use slow engine and transmission speeds until you know how to operate the tractor safely.



CAUTION: DO NOT SHIFT TRANSMISSION GEARS WHILE THE FORWARD OR REVERSE CLUTCHES ARE ENGAGED OR THE TRACTOR IS MOVING. This will damage the gears. Always place the direction control pedal in "NEUTRAL" and bring the tractor to a complete stop before moving the gear or range selectors.

1. To Move in a Forward Direction
 - A. Start the engine and move the throttle to give the desired engine speed.
 - B. Put the range and gear selectors in the positions that will produce the desired speeds. See section 7 for ground speeds produced.
 - C. Move the direction control pedal forward. As the tractor increases speed, push the pedal until it locks into position. If the pedal is not pushed all the way forward, slippage can damage the forward clutch. **USE CAUTION WHILE LEARNING TO OPERATE THE DIRECTION CONTROL PEDAL.**

NOTE: The operator must be in the seat to operate the direction control pedal. If the operator leaves the seat with the direction control pedal in the "FORWARD" position, the engine will stop.

2. To Move in a Reverse Direction
 - A. Follow Steps A and B under Number 1 above.
 - B. Push down firmly on the bottom of the direction control pedal. The control pedal does not lock into a reverse position. You must continue to push down firmly to continue reverse travel. The pedal will return to "NEUTRAL" upon release.

3. Stopping the Tractor

Pushing the brake pedal down will stop the tractor and return the direction control pedal to "NEUTRAL". Use the brake pedal for sudden stops and for holding the tractor on slopes.

4. Locking the Brake

To lock the brake for parking, depress the brake pedal and pull back on the brake lock lever. To release, push on the pedal and move the lock lever forward.

5. Using the PTO

To power an attachment, push the PTO control forward to "ON". To stop an attachment, pull the PTO control rearward to "OFF". The operator must be in the tractor seat to operate the PTO. If the operator leaves the seat while the PTO control is in the "ON" position, the engine will stop.

6. Correct Operating Speeds



WARNING: On rough and sloping ground and when mowing and trimming near buildings, trees, and other obstructions, use a slow ground speed.

NOTE: Most attachments, especially rotary mowers and snowblowers, perform best when operated at full engine speed. Proper ground speed is determined by power limitations, the type of terrain, the quality requirements of the job being performed, obstructions, hazards, etc.

2.5 Using the Attachment Lift Systems

Manual or hydraulic lift systems are used to raise and lower attachments. Either can hold an attachment in position or let it follow the ground.

1. Using the Manual Lift System

To hold an attachment in position:

- A. Lift the attachment to the raise position.
- B. Lift the Lift range control and slide it to the desired position.
- C. Lower the attachment. The lift lever will stop against the lift range control. If the attachment is not in the desired position, repeat Steps A and B.

To let an attachment follow the ground:

- A. Move the lift range control to the lowest position.
- B. Lower the attachment to the ground.

2. Using the Hydraulic Lift System

To hold an attachment in position:

- A. Lift the attachment by moving switch to the “up” position until the attachment is fully raised.
- B. Lower the attachment to the desired position by moving switch to the “down” position.
- C. When the attachment reaches the desired position, release the switch. The attachment will be hold in that position.

To let an attachment follow the ground:

Move the switch to the “down” position. When the attachment reaches the ground, hold the switch in the “down” position for approximately 1/2 second before releasing the switch.

2.6 Using the Tractor for Stationary Operations

To operate an attachment, such as a compost shredder that uses PTO power when the tractor is stationary:

1. Move the tractor attachment to the desired location. Put a weight in the seat.
2. Lock the brake and block wheels.
3. Put the gear selector in “NEUTRAL”.
4. Move the PTO control to “ON”.
5. Use caution when leaving the tractor seat. Keep away from moving parts.

2.7 Warning Light

The tractor is equipped with a warning light to alert the operator in the event there is a problem with the engine. The warning light is located on the upper left side of the instrument panel. See figure 1.

NOTE: The light is activated when there is a loss of oil pressure.

If the light comes on while operating the tractor, stop the tractor and engine as quickly as possible and check the engine oil level.

To check to see if the light is operating correctly, turn the ignition switch to the "ON" position. The light should glow red.

NOTE: The engine must have been off for at least five minutes prior to performing this test.

2.8 Locking the Brakes for Parking

To lock the brakes for parking, depress the brake pedals and pull back on the brake lock lever. To release, push on the brake pedals and move the lock lever forward.

2.9 Adjusting the Seat

The seat has 4" of front-to-rear adjustment. To adjust the seat, pull the adjustment lever out and move the seat forward or backward. Release the lever and ensure that the seat is locked into position.

SECTION 3

LUBRICATION AND MAINTENANCE

Correct maintenance can increase the life of the Professional 4-Wheel Tractor. It is important that the items shown in Chart 1 be done at the correct time intervals. Use chart 2 to record the actual hours on the hourmeter and the date at which each service item is performed.

MAINTENANCE SCHEDULE					
SERVICE PERFORMED	TIME INTERVALS BETWEEN SERVICE				
	DAILY	25 HRS.	50 HRS.	200 HRS.	500 HRS.
General Lubrication (Section 3.2)		●			
Check Engine Oil (Section 3.3)	●				
Check Battery Fluid (Section 3.5)				●	
Check Battery (Section 3.5)				●	
Check Fasteners (Section 3.6)		●			
Check Air Intake Screen (Section 3.7)	●				
Check Engine Cooling System (Section 3.8)		●			
Check Air Cleaner (Section 3.9)	●				
Check Transmission Oil (Section 3.11)				●	
Check Tire Pressure (Section 7)		●			

Chart 1

3.1 Filling the Fuel Tank

WARNING: Gasoline is very flammable. Follow safety instructions shown in section 1.



Gasoline is added as required. Use clean, lead free or regular grade gasoline. To add gasoline:

1. Put the tractor in an open area.
2. Stop the engine and lock the brake.
3. Clean the fuel cap area.
4. Remove the fuel tank cap.
5. Fill the tank with gasoline. Use caution. Do not overflow.
6. Reinstall fuel tank cap.
7. If gasoline is spilled, wipe it up.

MAINTENANCE RECORD

SERVICE TO BE PERFORMED	TIME INTERVALS BETWEEN SERVICE						
	25 HRS.	General Lubrication	Check the Fasteners	Check Engine Cooling System	Check the Tire Pressure	Check the Transmission Oil	Check the Battery and Battery Fluid
ACTUAL HOURS							
DATE							
50 HRS.	●	●	●	●			
ACTUAL HOURS							
DATE							
75 HRS.	●	●	●	●			
ACTUAL HOURS							
DATE							
100 HRS.	●	●	●	●			
ACTUAL HOURS							
DATE							
125 HRS.	●	●	●	●			
ACTUAL HOURS							
DATE							
150 HRS.	●	●	●	●			
ACTUAL HOURS							
DATE							
175 HRS.	●	●	●	●			
ACTUAL HOURS							
DATE							
200 HRS.	●	●	●	●	●	●	●
ACTUAL HOURS							
DATE							
225 HRS.	●	●	●	●			
ACTUAL HOURS							
DATE							
250 HRS.	●	●	●	●			
ACTUAL HOURS							
DATE							
275 HRS.	●	●	●	●			
ACTUAL HOURS							
DATE							
300 HRS.	●	●	●	●			
ACTUAL HOURS							
DATE							
325 HRS.	●	●	●	●			
ACTUAL HOURS							
DATE							
350 HRS.	●	●	●	●			
ACTUAL HOURS							
DATE							

Chart 2

MAINTENANCE RECORD

SERVICE TO BE PERFORMED		General Lubrication	Check the Fasteners	Check Engine Cooling System	Check the Tire Pressure	Check the Transmission Oil	Check the Battery and Battery Fluid
		375 HRS.	●	●	●	●	
	ACTUAL HOURS						
	DATE						
	400 HRS.	●	●	●	●		
	ACTUAL HOURS						
	DATE						
	425 HRS.	●	●	●	●		
	ACTUAL HOURS						
	DATE						
	450 HRS.	●	●	●	●		
	ACTUAL HOURS						
	DATE						
	475 HRS.	●	●	●	●		
	ACTUAL HOURS						
	DATE						
	500 HRS.	●	●	●	●		
	ACTUAL HOURS						
	DATE						
	525 HRS.	●	●	●	●		
	ACTUAL HOURS						
	DATE						
	550 HRS.	●	●	●	●		
	ACTUAL HOURS						
	DATE						
	575 HRS.	●	●	●	●		
	ACTUAL HOURS						
	DATE						
	600 HRS.	●	●	●	●	●	●
	ACTUAL HOURS						
	DATE						
	625 HRS.	●	●	●	●		
	ACTUAL HOURS						
	DATE						
	650 HRS.	●	●	●	●		
	ACTUAL HOURS						
	DATE						
	675 HRS.	●	●	●	●		
	ACTUAL HOURS						
	DATE						
	700 HRS.	●	●	●	●		
	ACTUAL HOURS						
	DATE						

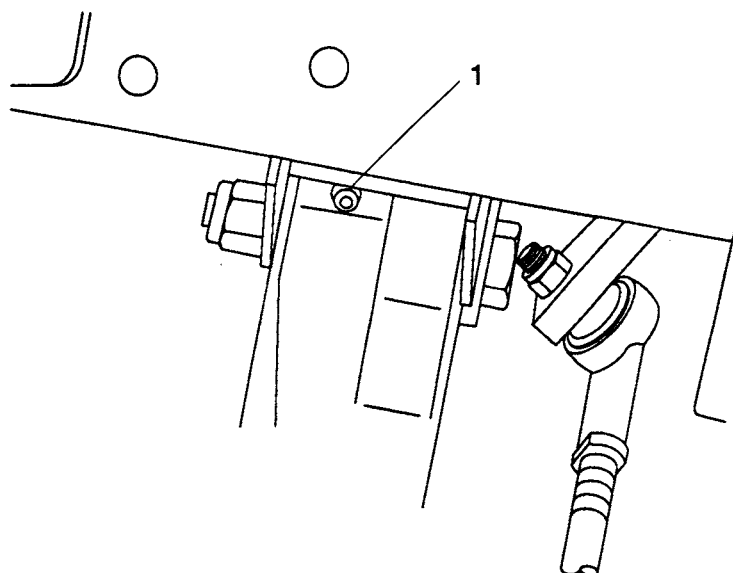
Chart 2 (Continued)

3.2 General Lubrication

There are seven grease fittings to be greased at 25-hour intervals. Clean the fittings before attaching the grease gun. Use a high quality lithium base grease. Add grease until it appears at the ends of the bearings. The locations of the seven fittings are:

1. On the direction control pedal.
2. On the front axle at each king pin.
3. On the front axle as shown in figure 3.
4. On the steering mechanism as shown in figure 4.

Apply motor oil to all pin connections, pivot points and areas where sliding occurs in the clutch, transmission, PTO, and lift control systems every 25 hours.



1. Grease Fitting on the Front Axle

Figure 3

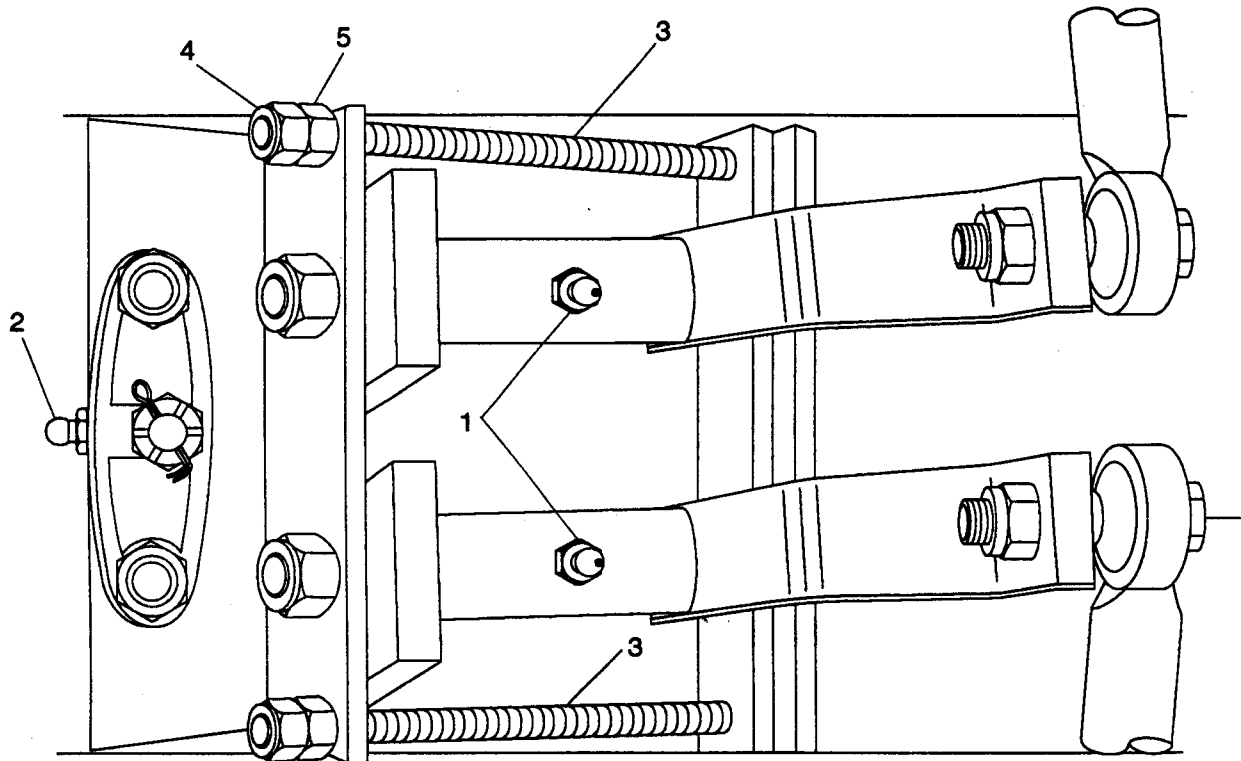
3.3 Checking the Engine Oil

Check the engine oil level daily. Never operate the engine with the oil level below the low mark on the dipstick. See your engine manual for oil specifications and oil filter service instructions.

To check the oil level:

1. Clean around the dipstick to prevent dirt from entering the tube.
2. Remove the dipstick and wipe off the oil

3. Put the dipstick back in place. Be sure it is all the way down.
4. Remove the dipstick again and note oil level.
5. Add oil, if needed. Do not overfill.
6. Repeat Step 3.



- | | |
|---|------------------|
| 1. Grease Fittings for the Steering Arms | 4. Lock Nut |
| 2. Grease Fittings for the Steering Columns | 5. Adjusting Nut |
| 3. Adjusting Bolt | |

Figure 4

3.4 Changing the Engine Oil

1. Read your engine manual for recommended change schedule.
2. Move the tractor to a level area. Lock the brake.
3. If the engine is cold, let it run for 5 minutes.
4. When the engine is warm, stop it and raise the rear fender.



WARNING: Engine muffler and other parts are hot.

5. Clean the areas around the dipstick and drain plug.
6. Remove the dipstick.
7. Put an open top container that will hold four quarts under the drain plug.
8. Remove the drain plug.
9. Allow the engine to drain completely.
10. Clean and reinstall the drain plug.
11. Remove the oil filter (some models), clean the oil filter port and install a new oil filter according to the instructions on the oil filter.
12. Fill with new oil to the "FULL" mark on the dipstick.
13. Replace the dipstick. Lower the rear fender.
14. Start the engine and check for leakage at the drain plug. Tighten the plug if leakage occurs.

3.5 Checking the Battery Fluid

Check the battery fluid every 200 hours. Use caution and wear eye protection when checking the battery. To check the battery:

1. Clean the top of the battery.
2. Lift the filler caps.
3. If the fluid level is below the split rings in the filler tube, add distilled water. Do not fill above the split ring. Do not use a metal funnel.
4. Reinstall the filler caps. Push them all the way down.

3.6 Checking the Fasteners

Every 25 hours, or any time looseness of parts, rattles, or excess noise and vibration are noted, check all fasteners. Look for loose or missing fasteners. Make sure all bolts, screws, nuts, pins, snap rings, and cotter pins are in the correct position and replace any that are missing. Tighten all nuts and bolts to the torque shown in chart 3 unless shown differently.

3.7 Checking the Air Intake Screen

Check the air intake screen on the engine each day. Remove any grass, dirt, or debris that may have accumulated on it. **THE AIR INTAKE SCREEN MUST BE KEPT CLEAN.**

3.8 Checking the Cooling System

Check the cooling system for signs of the collection of grass and debris in the engine cooling fins every 25 hours or more often when operated in dirty conditions. See your engine manual for instructions.

3.9 Checking the Air Cleaner

Check the air cleaner each day. See your engine manual for instructions.

3.10 Changing the Air Cleaner Element

Replace the air cleaner element at the correct intervals. See your engine manual for instructions.

BOLT TORQUE SPECIFICATIONS		
BOLT SIZE	FOOT POUNDS (ft.lbs.)	NEWTON METERS (N.m)
1/4"(6mm)	7	9.5
5/16"(8mm)	14	19
3/8"(10mm)	25	34
7/16"	40	54
1/2"(12 mm)	60	82
9/16"(14mm)	83	113
5/8"(16mm)	120	163
3/4"	200	271

Chart 3

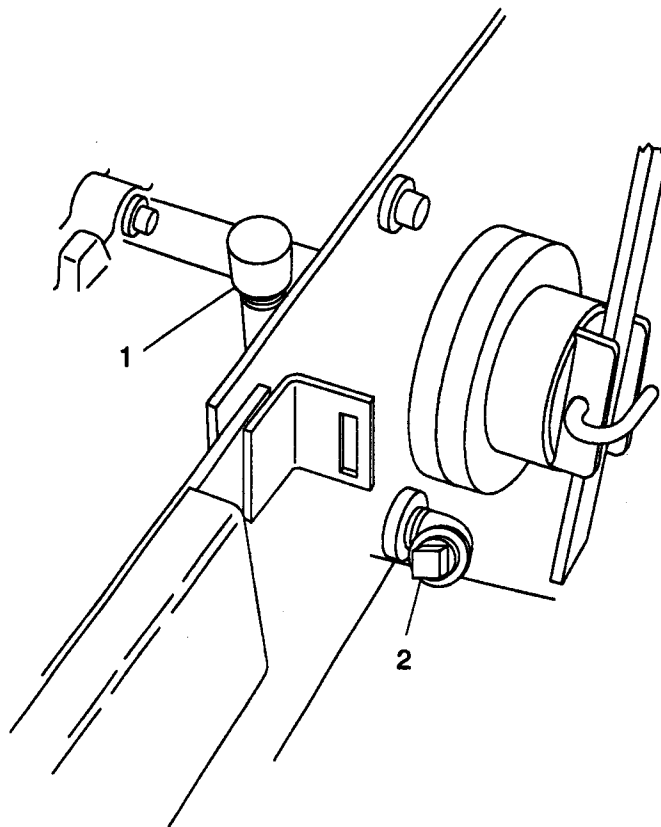
3.11 Checking the Transmission Oil

Check the transmission oil level every 200 hours or twice a year, whichever comes first. If leakage is observed, check more frequently. The fill tube and check plug are shown in figure 5. To check the transmission oil level:

1. Move the tractor to a level area. Stop the engine and lock the brake.
2. Raise the rear fender. Clean the check plug and remove it.
3. The oil level is correct when oil is at the bottom of the hole.
4. If the level is correct, reinstall and tighten the plug. If the level is low, add oil. See section 7 for recommended lubricant specifications.

To add oil:

1. Remove the fill tube cap. Add oil until it reaches the bottom of the check plug hole.
2. Reinstall and tighten the fill tube cap and check plug.



1. Fill Tube
2. Check Plug

Figure 5

SECTION 4

ADJUSTMENTS

4.1 Adjusting the Brakes

Brake service is required if the brake does not stop and hold the tractor effectively. The brake should be effective enough to cause the rear wheels to slide if applied suddenly on a concrete or asphalt surface.



CAUTION: Replace the brake band when the lining is as thin as the ignition key. Replace the brake drum if it is visibly worn or rough.

To adjust the brake:

1. Stop the tractor on a level surface.
2. Stop the engine and block the wheels so the tractor cannot roll.
3. Loosen the jam nut and remove the clevis pin (at the brake band).

NOTE: DO NOT ADJUST THE BRAKE ROD ON THE LEFT HAND SIDE WHICH ATTACHES TO THE BRAKE PEDAL. THIS ROD IS FOR ADJUSTING THE DIRECTION CONTROL PEDAL ONLY.

4. Turn the clevis clockwise to tighten or counterclockwise to loosen as needed.
5. To check the adjustment, reconnect the clevis and brake band with the pin.
6. Push the direction control pedal all the way forward.
7. Push the brake pedal by hand while watching the motion of the brake band. The brake is correctly adjusted when the band becomes tight on the drum as the direction control pedal moves to 'NEUTRAL'. If the band is tight before the pedal moves to 'NEUTRAL', the brake is too tight. If too tight or too loose, repeat steps 4, 5, 6 and 7 until the correct adjustment is obtained.
8. Install the cotter pin in the clevis pin and tighten the jam nut.
9. Check the effectiveness of the brake while operating the tractor.

4.2 Adjusting the Forward and Reverse Clutches

The forward and reverse clutches must be checked every 100 hours. If the lining has worn to a thickness of less than 0.150 inch (3.8mm), replace the lining. The forward clutch is on the right side of the transmission and the reverse clutch is on the left side of the transmission. See figure 5.

NOTE: Damage will occur if the tractor is operated with a lining thickness of less than 0.150 inch (3.8mm).

Inspect and adjust the clutches as follows:

1. Stop the engine and place the direction control pedal in the "NEUTRAL" position.
2. Raise the rear fender.
3. Measure the clearance in the slot. The correct clearance is .030 inch (.76mm) to .060 inch (1.5mm) for the forward clutch and .010 inch (.25mm) to .030 inch (.76mm) for the reverse clutch.
4. Adjust the bolts which go through the flange on the axle bearing retainer so that the forward-reverse clutch springs are straight up and down when the clutches have zero clearance. Lock the bolt in place with the jam nut. Loosen the jam nut which holds the slide rod bushing in place. Adjust the bushing on the slide rod until the clearance is correct. Lock the bushing in place with the jam nut.
5. Lubricate the clutch once each season. Remove the clutch and apply a film of high quality lithium base grease to the splined clutch shaft. While the clutch is off, check the lining wear. If the lining has worn near the rivet heads, replace the lining. Readjust the clutch as described above.

4.3 Adjusting the PTO Clutch

The PTO clutch should be adjusted whenever there is less than .5 inches of free travel in the clutch lever when it is in the "ON" position. See figure 6 to see where this free travel is measured. The free travel should be between .5 inch and 1.0 inch. To adjust:

1. Stop the engine and lock the brake.
2. Loosen the bolts holding the switch bracket and push the bracket down.

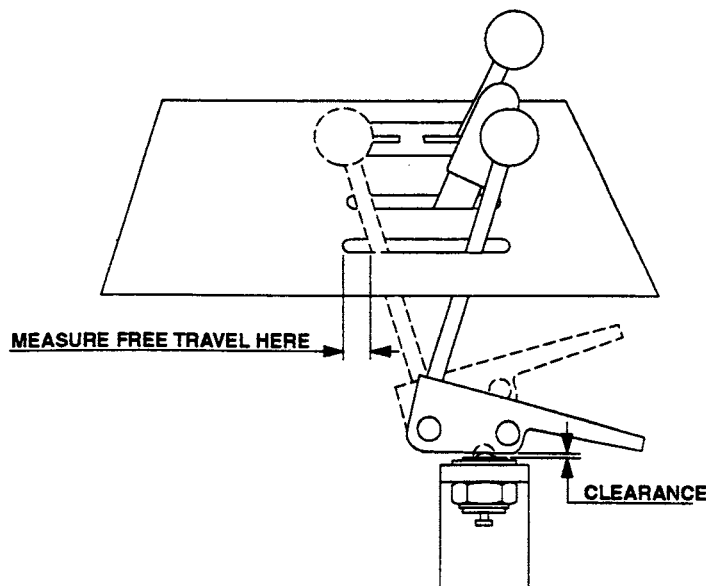


Figure 6

3. Raise the rear fender.
4. Push the PTO lever to "ON".
5. Disconnect the PTO control from the transmission lever.
6. Turn the control rod to change the free travel. Each turn will change it by about .25 inch. Turn clockwise to increase and counterclockwise to decrease the free travel.
7. Reconnect the control rod to the transmission lever. Check for correct free travel. Repeat steps 4, 5, and 6 if necessary.
8. Put the PTO control in the "OFF" position.
9. Move the switch bracket up until the switch closes (makes a circuit). Tighten the switch bracket hardware.



CAUTION: Make sure that the PTO control assembly does not rest on the switch body.

4.4 Adjusting the Steering System

Adjustment of the steering gear is usually needed whenever there is more than 2 inches of free play in the steering wheel. To adjust the steering gear:

1. Loosen the lock nuts on both adjusting bolts. See figure 4.
2. Turn the steering wheel to the right as far as it will go.
3. Turn the adjusting nut on the left side adjusting bolt clockwise with your fingers until it is tight. Then back the nut off one fourth turn.
4. Tighten the lock nut against the adjusting nut being careful not to move the adjusting nut.
5. Turn the steering wheel to the left as far as it will go.
6. Repeat steps 4 and 5 for the right side adjusting nut.
7. Check for tightness or backlash in the steering gear through the full range of the steering wheel rotation. There should be no noticeable tightness or backlash in the rack and pinion mesh. If there is, repeat steps 3 through 7 as required.

Upon completion of the steering gear adjustment, recheck the steering wheel free play. If the free play is still excessive, look for loose steering arms on the king pins, loose or worn ball joints, or other signs of wear. Tighten or replace as required.

Adjust the front wheel toe-in as follows:

1. Rotate the steering wheel until the two steering arm weldments are parallel to the frame side.
2. On 14 H.P. and 16 H.P. engine units, loosen the jam nuts on the tie rods and disconnect the outside ball joint. Rotate the front tires by hand so that the distance between the front centerline of the tire is 1/8" to 1/2" less than the distance between the rear centerline. Adjust the tie rods so that the ball joint can be connected to the tie rod arm without moving the tire and so that the tie rods are the same length. Tighten the jam nuts.
3. On 18 H.P. and 20 H.P. engine units, loosen the jam nuts on the tie rods and rotate the tire rod tube so that the front centerline of the tire is 1/8" to 1/2" closer than the rear centerline and so that the tie rods are the same length. Tighten the jam nuts.

4.5 Servicing the Spark Plug(s)

To clean or change a spark plug:

1. Stop the engine, lock the brake, and raise the seat pan weldment.
2. See your engine manual for further instructions.

4.6 Servicing the Hydraulic Lift



WARNING: Keep body and hands away from pin holes or nozzles which eject hydraulic fluid under pressure. Use paper or cardboard and not hands to search for leaks.

Be sure to stop the engine and put the attachment in the down position before doing any work on hydraulic parts.



WARNING: Make sure all hydraulic fluid connections are tight and all hydraulic hoses and lines are in good condition before applying pressure to the system.

Hydraulic fluid escaping under pressure may have sufficient force to penetrate skin and cause serious injury. Foreign fluid injected into the skin must be surgically removed within a few hours by a doctor familiar with this form of injury or gangrene may result.

Check the hydraulic fluid level when the hydraulic lift will not raise the attachment or leaks are observed.

To check the hydraulic fluid level:

1. Clean the area around the reservoir and cap.
2. Remove the cap.
3. The correct hydraulic fluid level is one inch from the top of the reservoir. Add Destron II Atf to maintain this level.

4.7 Adjusting the Range Selector

1. Move the Hi-Lo shift lever as far as it will go both in directions. Measure the distance between the lever and the end of the slot. This distance should not be less than 5/16".
2. Adjust the clevis so that the clearance between the Hi-Lo shift lever and the control cover plate slot is equal for both positions of the lever.

SECTION 5

STORAGE

5.1 Storing the Unit

1. Do the daily and 25-hour maintenance, but do not add gasoline.
2. Clean the tractor. Paint or oil bare metal surfaces to prevent rust.

NOTE: Do not use harsh or abrasive cleaners on any painted surface. Do not allow gasoline or oil to remain on any silk screened surface.

3. Refer to the engine manual and prepare the engine for storage.
4. Clean and charge the battery. Charge the battery every three or four weeks while in storage.
5. Place the PTO lever in "OFF" position.
6. Store in a cool, dry place.

5.2 Taking the Unit out of Storage

1. Refer to the engine manual and prepare the engine for service.
2. Charge the battery.
3. Put fresh, clean gasoline in the fuel tank.

SECTION 6

TROUBLESHOOTING

OBSERVATION	POSSIBLE CAUSE
1. No sound or motion when the ignition switch is turned to the "START" position.	PTO control in the "ON" position Direction control pedal in the forward or reverse position Blown fuse Discharged battery Starting solenoid damaged Loose battery cable(s) Damaged time delay module
2. When the ignition switch is turned to "START", the solenoid "clicks" and the engine starter motor does not operate.	Discharged battery Battery cable connector(s) corroded Starter damaged
3. When the ignition switch is turned to "START", the starter operates but the engine does not start.	Relay or relay connection(s) Fuel tank empty Fuel valve turned off Engine spark plug(s) fouled Engine failure -- see Engine Service Manual
4. Battery discharged.	Regulator-rectifier failure Fuse holder or battery Engine alternator failure Battery failure
5. Engine continues to run when the ignition switch is rotated to the "OFF" position.	Ground wire not connected Ignition switch failure
6. Lights do not come on when the light switch is moved to the "ON" position.	Light(s) burned out Defective light switch Loose wire connections Engine light alternator failure Ignition switch failure
7. Engine runs rough or stops after it gets hot.	See Engine Service Manual Time delay failure
8. Fuse blows when starting engine.	Defective solenoid
9. Hydraulic lift will not lift attachment.	Hydraulic pump seals Cylinder seals Low fluid level Hydraulic pump Relief valve setting

SECTION 7

SPECIFICATIONS AND WIRING

Fuel Specifications	See your engine manual
Fuel Tank Capacity	5.3 Gallons (U.S.) (20 liters)
Engine Oil Specification	See your engine manual
Engine Oil Capacity	See your engine manual
Transmission Oil Specification	API Service SC 10W-30 Motor Oil
Transmission Oil Capacity	6 Quarts (U.S.) (5.7 liters)
Hydraulic Fluid Specification	ATF Dextron II
Hydraulic Fluid Capacity	1 Quart (U.S.) (.9 liter)
Battery	12 Volt, BC1 group 22F, 42 amp. hr.
Fuse	30 amp. Acc-30

Tire Sizes:

Professional 14-G and 16-G

Front	16 x 6.50-8
Rear	23 x 8.50 - 12

Professional 18-G and 20-G

Front	16 x 7.50 - 8
Rear	23 x 10.50 - 12

Tire Pressure:

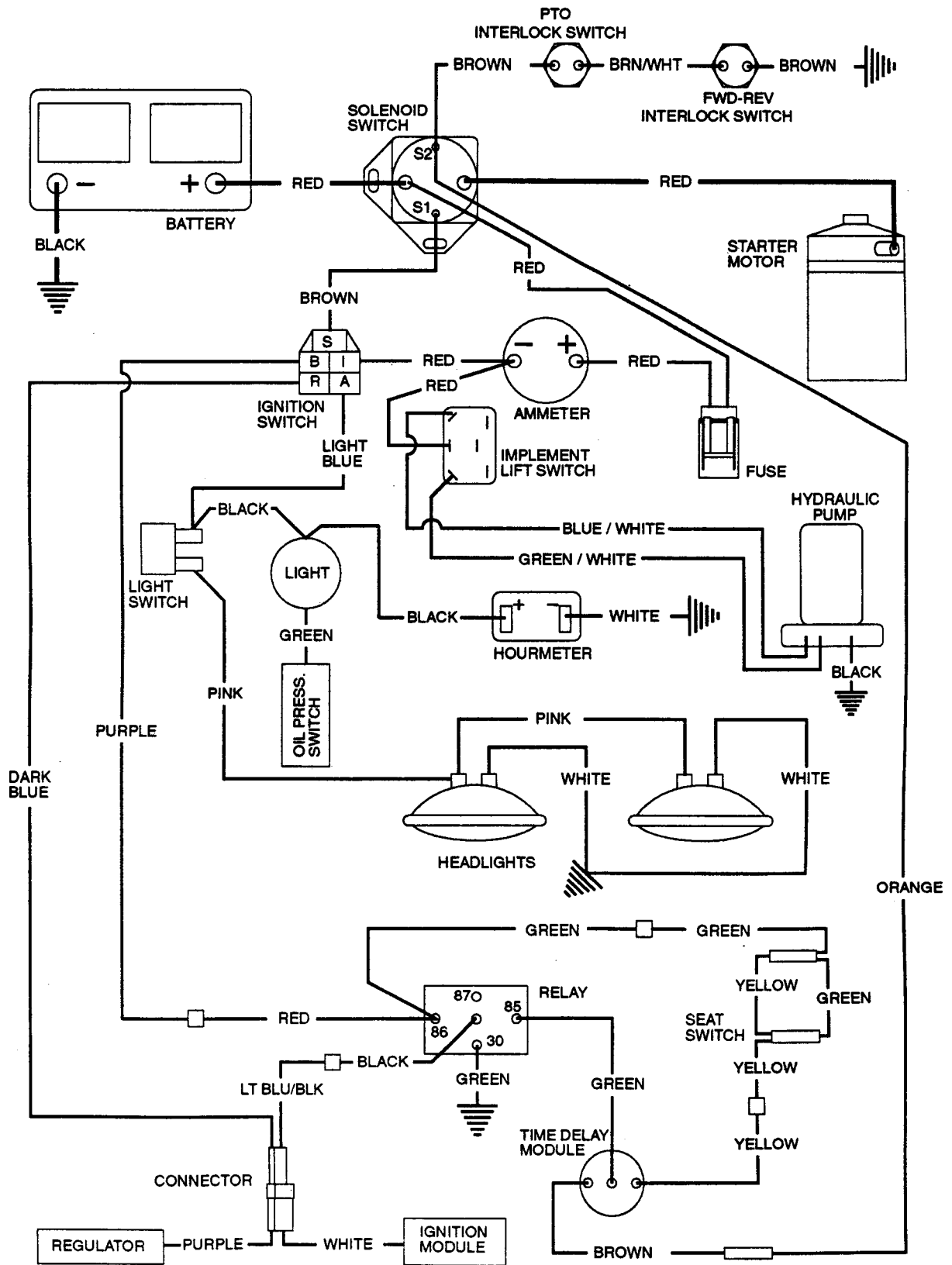
Front	14 psi (97 kN/m ²) to 18 psi (124 kN/m ²)
Rear	10 psi (69 kN/m ²) to 14 psi (97 kN/m ²)

Ground Speeds (at 3600 rpm Engine Speed):

TRACTOR GROUND SPEEDS				
	FORWARD		REVERSE	
Gear	"LO" Range	"HI" Range	"LO" Range	"HI" Range
1	.5 mph (.8 km/hr)	2.5 mph (4.0 km/hr)	1.1 mph (1.8 km/hr)	Same
2	.8 mph (1.2 km/hr)	3.8 mph (6.1 km/hr)	1.7 mph (2.7 km/hr)	Same
3	1.1 mph (1.8 km/hr)	5.7 mph (9.2 km/hr)	2.5 mph (4.0 km/hr)	Same
4	1.7 mph (2.7 km/hr)	8.5 mph (13.7 km/hr)	3.8 mph (6.1 km/hr)	Same

SECTION 8

WIRING DIAGRAM



SECTION 9

SET-UP INSTRUCTIONS

9.1 Remove the tractor from the shipping container.

NOTE: Remove the nut, one flat washer and bracket from each axle on the rear of the tractor. Put a 3/4-10 lock nut on each axle and tighten.

9.2 Rear Tire Assembly Installation

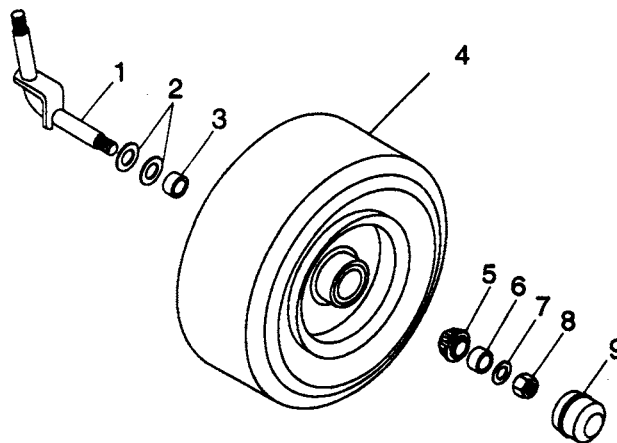
1. Raise the rear of the tractor.
2. Mount the rear wheel assemblies to the wheel hubs with 7/16-20 x 3/4 hub bolts.

NOTE: The valve stem must be turned toward the inside on the twin cylinder engine tractors.

3. Lower the tractor.
4. Adjust the air pressure in the rear tires to 10 psi (69 kN/m²) to 14 psi (97 kN/m²).

9.3 Front Tire Assembly Installation:

1. Raise the front of the tractor.
2. Put two .813 x 1.375 x 1.00 flat washers on each front axle. See figure 8.



- | | |
|-----------------------------|-----------------------------|
| 1. Axle | 6. Spacer |
| 2. Flat Washer (.813" I.D.) | 7. Flat Washer (.656" I.D.) |
| 3. Spacer | 8. Lock Nut |
| 4. Wheel | 9. Dust Cap |
| 5. Bearing | |

Figure 8

3. Slide a spacer into the grease seal on the valve stem side of each front wheel.
4. Put high quality lithium base grease on each axle.
5. Put a wheel, the valve stem towards the inside, on each axle.
6. Pack high quality lithium base grease into each bearing. Make sure the bearing cages are full of grease.
7. Slide a bearing, tapered end first, onto each axle. Push the bearings into the wheels.
8. Put a spacer and then a .565 x 1.312 x .095 flat washer onto each axle. Fasten them with the 5/8" lock nuts.
9. Tighten the lock nuts slowly to take up the clearance in the bearings.

NOTE: The front wheels must turn freely with no clearance in the bearings.

10. Install the dust cap.
11. Lower the front of the tractor.
12. Adjust the air pressure in the front tires to 14 psi (97 kN/m²) to 18 psi (124 kN/m²).

9.4 Steering Wheel Installation:

The steering wheel is shipped upside down on the steering shaft. Remove the nut from the steering shaft and remove the steering wheel. Put a film of grease on the steering serrations and put the steering wheel in place on the shaft. Retain the steering wheel with the .656 x 1.312 x .095 flat washer (from the hardware pack) and nut previously removed. Put the steering wheel insert in place in the steering wheel. See figure 9.

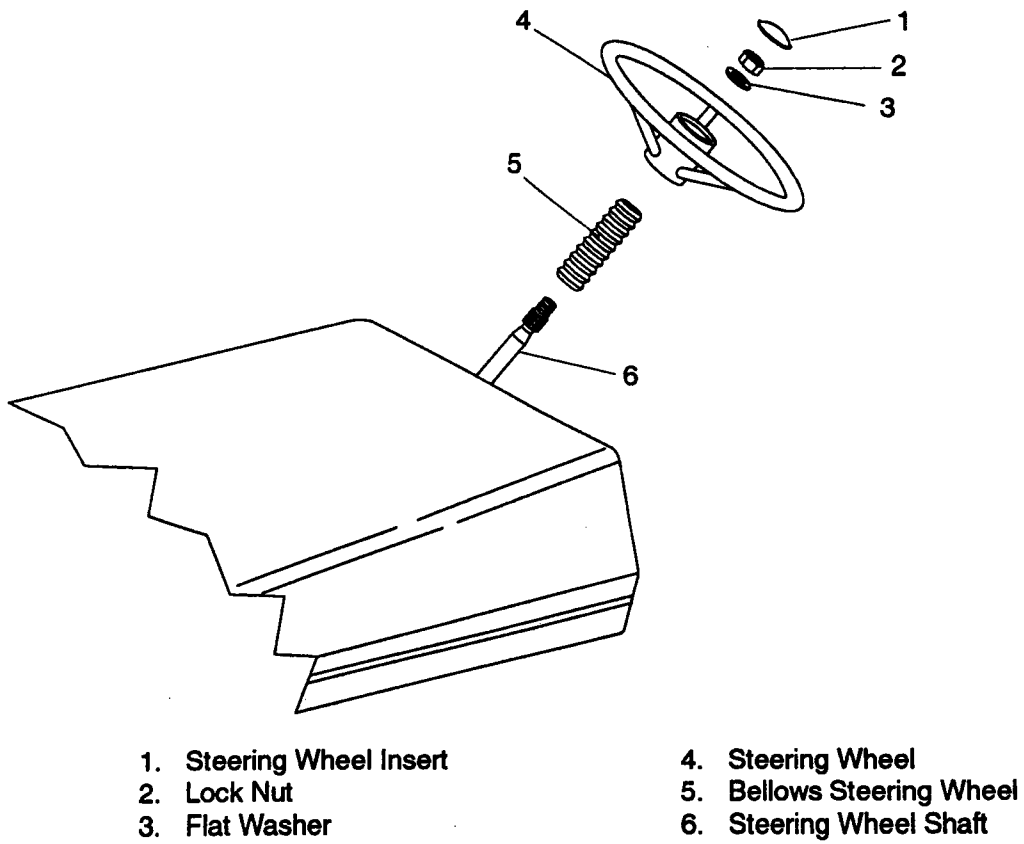


Figure 9



Five Year Limited Warranty

GEM, PROFESSIONAL G AND TWO-WHEEL PRODUCTS

Gravely hereby warrants to the original purchaser that all GEM, Professional G and Two-Wheel products shall be free of defects in material and workmanship for **five years** from date of purchase when used exclusively for personal or household use. Gravely will provide for the replacement of any part found to be defective. Parts and labor will be free of charge for **two years** from date of purchase. Parts but not labor will be free of charge for **three years** (36 months) thereafter.

This warranty is subject to the following exceptions and limitations.



Purchaser Responsibilities:

- Maintenance and minor adjustments per Operators Manual.
- Notification of need for warranty service
- Transportation of the product to and from the place warranty repair.



Product Registration:

- Return of Registration card to validate warranty.



Rental Use: - 90 days parts and labor

- Products used for rental purposes.



Commercial Use:

- Professional G - **Two years**, parts and labor.
- Two-Wheel - **Two years**, parts and labor.
- GEM - **90 days**, parts and labor



Warranty Service:

- For warranty service contact any Gravely dealer.
- For the name and location of the Gravely dealer in your area and for further warranty information contact Gravely.



Engines, engine accessories.

- Covered only by engine manufacturers warranty.



Batteries - One year pro-rated.



Exclusions: - No Warranty

- No warranty is extended for normal maintenance, services and normal replacement items such as Spark Plugs, Oil, Oil Filters, Air Filters, Belts, Light Bulbs, Headlights, etc.
- No warranty is extended on any product that has been altered, misused, mis-assembled, improperly adjusted, neglected or damaged by accident.
- No warranty is extended for service completed by someone other than an Authorized Gravely Dealer.
- No warranty is extended on any attachment not approved by Gravely nor any parts that are not genuine Gravely parts.
- No warranty is extended on engines and engine accessories.

Gravely reserves the right to incorporate any change in design into its products without obligation to make such changes on products previously manufactured.

DISCLAIMER OF FURTHER WARRANTY

Gravely makes no warranty, express or implied, other than this warranty. The implied warranties of merchantability and fitness for particular purpose are hereby disclaimed. Repair or replacement of parts proving to be defective in material or workmanship shall be the exclusive remedy for breach of this warranty. Gravely shall not be liable for incidental or consequential damages, including but not limited to damages for inconvenience, rental or purchase of replacement equipment, or for loss of profits or other commercial loss, resulting from a breach of this warranty.

Some states do not allow limitations on how long an implied warranty lasts, so the above statement may not apply to you. Some states do not allow the exclusion or limitation of incidental or consequential damages, so the above limitation or exclusion may not apply to you. This warranty gives you specific legal rights, and you may have other rights which vary from state to state.



655 West Ryan Street
P.O. Box 157
Brillion, WI 54110-1098
Phone: 414-756-4400
Fax: 414-756-4477